

Labels

This topic includes:

- "Guidelines for Labels" on page 2-54
- "Printing Labels" on page 2-54

To order supplies, contact your local reseller.

Guidelines for Labels

- Do not use vinyl labels.
- Do not use any labels on a sheet where items are missing; it may damage printer components.
- Store unused labels flat in their original packaging. Leave the product inside the original packaging until ready to use. Return any unused product to the original packaging and reseal it for protection.
- Do not store labels in extremely dry or humid conditions or extremely hot or cold conditions. Storing them in extreme conditions may cause print quality problems or cause them to jam in the printer.
- Rotate stock frequently. Long periods of storage in extreme conditions can cause the labels to curl and jam the printer.
- Print only on one side of the sheet of labels.

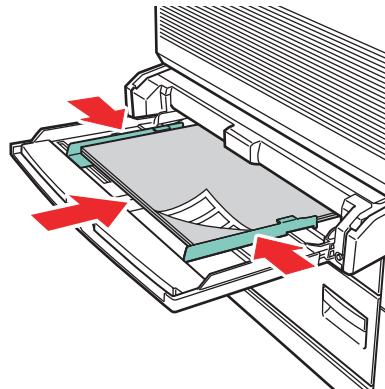
Printing Labels

If your application has a setting for labels, use it as a template. Labels can be printed from any tray.

1. Insert the labels into a tray:

Tray 1 (MPT)

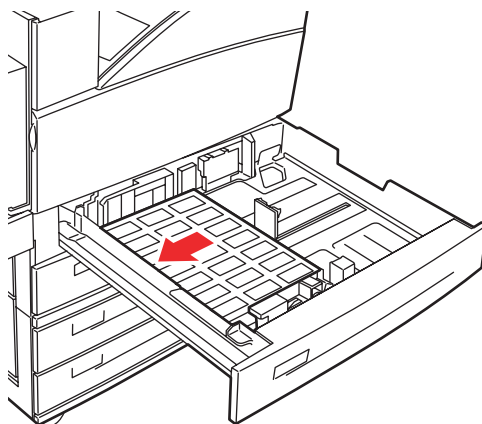
- Insert the label sheets **long-edge feed** (recommended) and **facedown** into Tray 1 (MPT). Place the **top** of the page toward the **front** of the printer.



5500-146

Trays 2-5

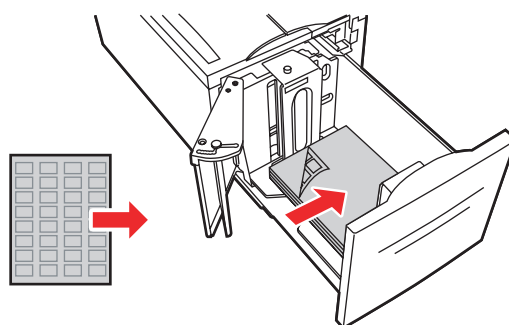
- Insert the label sheets **long-edge feed** (recommended) and **faceup** into Tray 2-5. Place the **top** of the page toward the **front** of the printer.



5500-260

Tray 6

- Insert the label sheets **long-edge feed** and **facedown** into Tray 6. Place the **top** of the page toward the **front** of the tray.



5500-259

2. Adjust the paper guides to the size of the label sheets.
3. If prompted at the printer's front panel, press the **OK** button to accept the paper size and type that are highlighted. If you have changed the paper size or type, do the following:
 - a. Select **Change**, then press the **OK** button.
 - b. Select **Labels**, then press the **OK** button.
 - c. Select the paper size, then press the **OK** button to save your selection.
4. In the printer driver, select either **Labels** or the tray you loaded as the paper source.